

**Vertical Switches**

- CLSWV1GMW
- CLSWV2GMW
- CLSWV3GMW
- CLSWV4GMW
- CLSWV5GMW
- CLSWV6GMW

**Horizontal Switches**

- CLSW1GMW
- CLSW2GMW
- CLSW3GMW
- CLSW4GMW
- CLSW5GMW
- CLSW6GMW

**Switch Plates (Less Mechs)**

- CLSWPV1GMW
- CLSWPV2GMW
- CLSWPV3GMW
- CLSWPV4GMW
- CLSWPV5GMW
- CLSWPV6GMW
- CLSWPVXGMW

\*See current catalogue for further detail

*Note: MESWCMW and MESWCMBK rocker switch mechanisms used in conjunction with Clouded Leopard plates.*

**Cleaning Guide:**

Spraying cleaning products directly on to electrical switches or power points (sockets) is not recommended.

It is important to ensure that switches are turned off before cleaning.

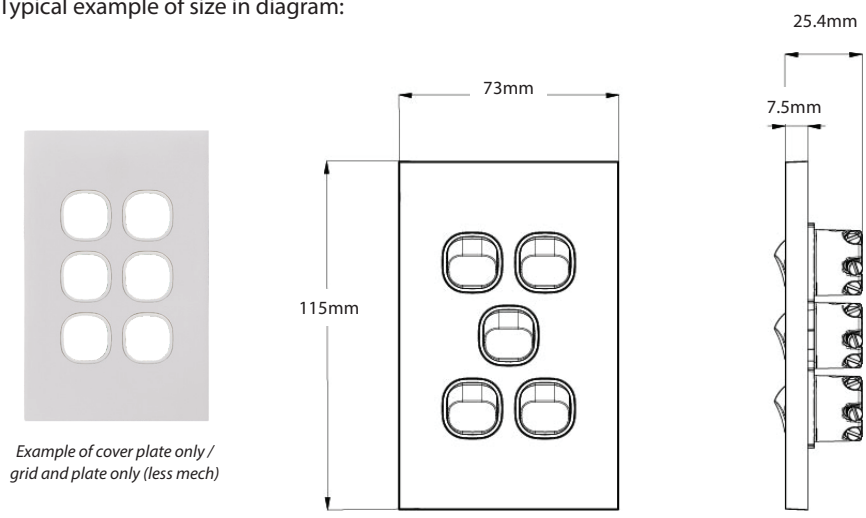
Do not use any cleaning sprays - only wipe down with damp cloth or rub with dry cloth. Do not use an abrasive cloth as it may scratch the plastic.

Do not use harsh chemical cleaners as these can break down the plastic and cause it to crack.

Do not wash the cover plates in water over 60°C.

## Clouded Leopard Range of Switch Plates

- Switches are rated 16AX/20A 250V~ and approved to AS/NZS60669-1
- Fits standard Australian wall boxes and mounting accessories that use 84mm mounting centres
- Uses brass tunnel terminals that have the screws backed out for easier installation of cabling. Switches are two way with looping terminal and suit 4 x 1.5mm<sup>2</sup> cabling with 4.1mm bore.
- Slotted head screws for the terminals
- Uses 'Cat Flap' screw covers for IP rating or mounting screws
- Plates suit Trader Meerkat MESWC mechs, including TV and Data; and Clipsal 30 Style\* mechs and accessories
- Typical example of size in diagram:



*Example of cover plate only / grid and plate only (less mech)*

Catalogue No.	Description
CLSWV1GMW	Switch Vertical 1 Gang, 16AX/20A 250V~ Matt White
CLSWV2GMW	Switch Vertical 2 Gang, 16AX/20A 250V~ Matt White
CLSWV3GMW	Switch Vertical 3 Gang, 16AX/20A 250V~ Matt White
CLSWV4GMW	Switch Vertical 4 Gang, 16AX/20A 250V~ Matt White
CLSWV5GMW	Switch Vertical 5 Gang, 16AX/20A 250V~ Matt White
CLSWV6GMW	Switch Vertical 6 Gang, 16AX/20A 250V~ Matt White
CLSW1GMW	Switch Horizontal 1 Gang, 16AX/20A 250V~ Matt White
CLSW2GMW	Switch Horizontal 2 Gang, 16AX/20A 250V~ Matt White
CLSW3GMW	Switch Horizontal 3 Gang, 16AX/20A 250V~ Matt White
CLSW4GMW	Switch Horizontal 4 Gang, 16AX/20A 250V~ Matt White
CLSW5GMW	Switch Horizontal 5 Gang, 16AX/20A 250V~ Matt White
CLSW6GMW	Switch Horizontal 6 Gang, 16AX/20A 250V~ Matt White

Catalogue No.	Description
CLSWPV1GMW	Switch Plate Vertical 1 Gang (Less Mech) Matt White
CLSWPV2GMW	Switch Plate Vertical 2 Gang (Less Mech) Matt White
CLSWPV3GMW	Switch Plate Vertical 3 Gang (Less Mech) Matt White
CLSWPV4GMW	Switch Plate Vertical 4 Gang (Less Mech) Matt White
CLSWPV5GMW	Switch Plate Vertical 5 Gang (Less Mech) Matt White
CLSWPV6GMW	Switch Plate Vertical 6 Gang (Less Mech) Matt White
CLSWPVXGMW	Blank plate & Cover Matt White

*The above catalogue numbers where "P" appears in number, refers to Cover Plate Only / Grid and Plate only (less mech)*

\* The Clipsal brand and associated products are Trademarks of Schneider Electric (Australia) Pty Ltd.

GSM Electrical (Australia) Pty Ltd, the TRADER brand and it's products, have no endorsement or affiliation with Schneider Electric Pty Ltd.

**When ordering MATT BLACK replace "MW" (Matt White) with "MBK" at end of catalogue number, ie CLPP2GMW to CLPP2GMBK.**



**MEERKAT Rocker Switch Mechanisms** are used for all switch plates. Please refer to Meerkat Rocker Mech Matrix for range compatibility.

**Certification Number:** GMA-507879-EA

**GSM Electrical (Australia) Pty Ltd**

Level 2, 142-144 Fullarton Road, Rose Park SA 5067

P: 1300 301 838 F: 1300 301 778 E: service@gsm.com.au

[www.gsm.com.au](http://www.gsm.com.au)



Data Specification Sheet  
February 2021

