

Vertical Switches
CLSWV1GMW
CLSWV2GMW
CLSWV3GMW
CLSWV4GMW
CLSWV5GMW
CLSWV6GMW

Horizontal Switches
CLSW1GMW
CLSW2GMW
CLSW3GMW
CLSW4GMW
CLSW5GMW
CLSW6GMW

Switch Plates (Less Mechs)
CLSWPV1GMW
CLSWPV2GMW
CLSWPV3GMW
CLSWPV4GMW
CLSWPV5GMW
CLSWPV6GMW
CLSWPVXGMW

*See current catalogue for further detail

Note: MESWCMW and MESWCMBK rocker switch mechanisms used in conjunction with Clouded Leopard plates.

Cleaning Guide:

Spraying cleaning products directly on to electrical switches or power points (sockets) is not recommended.

It is important to ensure that switches are turned off before cleaning.

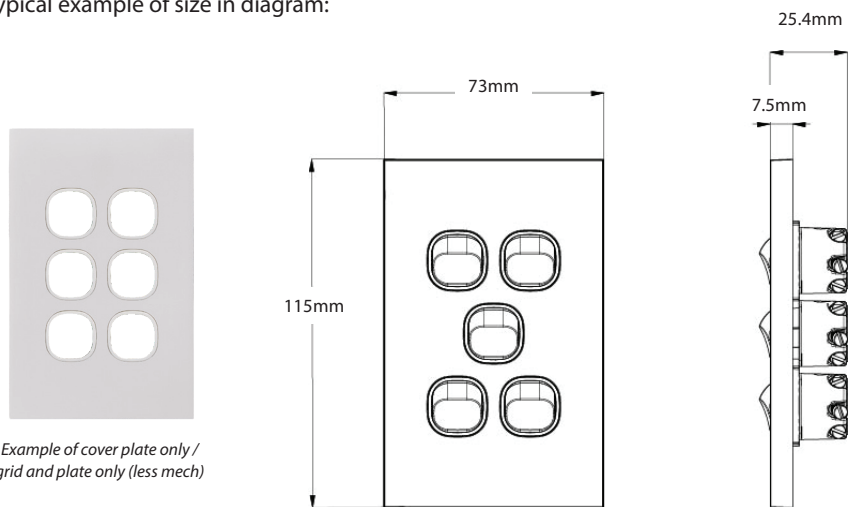
Do not use any cleaning sprays - only wipe down with damp cloth or rub with dry cloth. Do not use an abrasive cloth as it may scratch the plastic.

Do not use harsh chemical cleaners as these can break down the plastic and cause it to crack.

Do not wash the cover plates in water over 60°C.

Clouded Leopard Range of Switch Plates

- Switches are rated 16AX/20A 250V~ and approved to AS/NZS60669-1
- Fits standard Australian wall boxes and mounting accessories that use 84mm mounting centres
- Uses brass tunnel terminals that have the screws backed out for easier installation of cabling. Switches are two way with looping terminal and suit 4 x 1.5mm² cabling with 4.1mm bore.
- Slotted head screws for the terminals
- Uses 'Cat Flap' screw covers for IP rating or mounting screws
- Plates suit Trader Meerkat MESWC mechs, including TV and Data; and Clipsal 30 Style* mechs and accessories
- Typical example of size in diagram:



Example of cover plate only / grid and plate only (less mech)

| Catalogue No. | Description |
|---------------|---|
| CLSWV1GMW | Switch Vertical 1 Gang, 16AX/20A 250V~ Matt White |
| CLSWV2GMW | Switch Vertical 2 Gang, 16AX/20A 250V~ Matt White |
| CLSWV3GMW | Switch Vertical 3 Gang, 16AX/20A 250V~ Matt White |
| CLSWV4GMW | Switch Vertical 4 Gang, 16AX/20A 250V~ Matt White |
| CLSWV5GMW | Switch Vertical 5 Gang, 16AX/20A 250V~ Matt White |
| CLSWV6GMW | Switch Vertical 6 Gang, 16AX/20A 250V~ Matt White |
| CLSW1GMW | Switch Horizontal 1 Gang, 16AX/20A 250V~ Matt White |
| CLSW2GMW | Switch Horizontal 2 Gang, 16AX/20A 250V~ Matt White |
| CLSW3GMW | Switch Horizontal 3 Gang, 16AX/20A 250V~ Matt White |
| CLSW4GMW | Switch Horizontal 4 Gang, 16AX/20A 250V~ Matt White |
| CLSW5GMW | Switch Horizontal 5 Gang, 16AX/20A 250V~ Matt White |
| CLSW6GMW | Switch Horizontal 6 Gang, 16AX/20A 250V~ Matt White |

| Catalogue No. | Description |
|---------------|---|
| CLSWPV1GMW | Switch Plate Vertical 1 Gang (Less Mech) Matt White |
| CLSWPV2GMW | Switch Plate Vertical 2 Gang (Less Mech) Matt White |
| CLSWPV3GMW | Switch Plate Vertical 3 Gang (Less Mech) Matt White |
| CLSWPV4GMW | Switch Plate Vertical 4 Gang (Less Mech) Matt White |
| CLSWPV5GMW | Switch Plate Vertical 5 Gang (Less Mech) Matt White |
| CLSWPV6GMW | Switch Plate Vertical 6 Gang (Less Mech) Matt White |
| CLSWPVXGMW | Blank plate & Cover Matt White |

The above catalogue numbers where "P" appears in number, refers to Cover Plate Only / Grid and Plate only (less mech)

* The Clipsal brand and associated products are Trademarks of Schneider Electric (Australia) Pty Ltd.

GSM Electrical (Australia) Pty Ltd, the TRADER brand and it's products, have no endorsement or affiliation with Schneider Electric Pty Ltd.

When ordering MATT BLACK replace "MW" (Matt White) with "MBK" at end of catalogue number, ie CLPP2GMW to CLPP2GMBK.

MEERKAT 

MEERKAT Rocker Switch Mechanisms are used for all switch plates. Please refer to Meerkat Rocker Mech Matrix for range compatibility.

Certification Number: GMA-507879-EA

GSM Electrical (Australia) Pty Ltd

Level 2, 142-144 Fullarton Road, Rose Park SA 5067

P: 1300 301 838 F: 1300 301 778 E: service@gsm.com.au

www.gsm.com.au



Data Specification Sheet
February 2021

