

BUSO432E3HLE
BUSO432E6HLE

IP66 IEC309 Socket

Buffalo IP66 IEC309 Sockets, 32 Amp 380V - 440V IP66 socket, adapted to fit the modular Buffalo series assemblies and back boxes.

Fits combination assembly layouts (Functional with a Buffalo switch BUSW series switch above it)

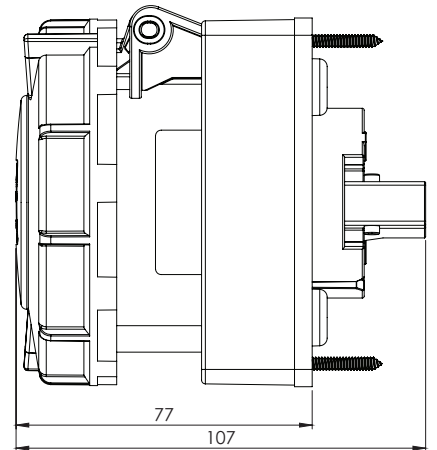
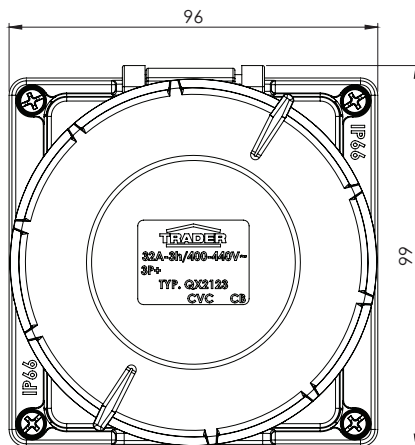
Ideal for general use where international plugs are used, particularly with the application for industrial plug from refer containers.

Panel Mounting Straight Socket with Nickel -plated socket contacts, Pa66/Pa6 material body on a polycarbonate base.

- Working Temperature: +40, -25° C
- Rated Voltage: 380V - 440V
- Frequency: 50/60Hz
- Poles: 4
- Rated Current: 32A
- Earth pin position at 3 o'clock or 6 o'clock
- Conforms to European / International standards EN/IEC 60309
- Good corrosion protection in aggressive environments and at high degrees of air humidity due to nickel-plated contacts.
- Highly heat resistant contacts.
- Easy opening and closing of lid though integrated opening bayonet rotating lock.
- Reduced installation time.
- Quality tunnel type terminals which securely clamp the conductor.
- Sold as less enclosure to allow greater flexibility and adaptation to other electrical box assemblies.



Cat No.	Description	Height (mm)	Width (mm)	Length (mm)
BUSO432E3HLE	Socket IP66 380-440V~ 4 Pin 32A IEC309 Earth 3 hour Less Enclosure	99	107	96
BUSO432E6HLE	Socket IP66 500V 4 Pin 32A IEC309 Earth 6 hour Less Enclosure	99	107	96



Certification Number:
GMA-516399

GSM Electrical (Australia) Pty Ltd
Level 2, 142-144 Fullarton Road, Rose Park SA 5067
P: 1300 301 838 F: 1300 301 778 E: service@gsm.com.au
www.gsm.com.au

