

- BUC310
- BUC310L
- BUC315
- BUC320F
- BUC320
- BUC332
- BUC410
- BUC420
- BUC432
- BUC440
- BUC450
- BUC510
- BUC520
- BUC532
- BUC540
- BUC550
  
- BUC310LE
- BUC310LLE
- BUC315LE
- BUC320FLE
- BUC320LE
- BUC332LE
- BUC410LE
- BUC420LE
- BUC432LE
- BUC440LE
- BUC450LE
- BUC510LE
- BUC520LE
- BUC532LE
- BUC540LE
- BUC550LE

PAGE 1 of 2



## IP66 Combination Switched Sockets

Buffalo offers an extensive range of IP66 rated Combination Switched Sockets that are available in three-pin 10A to 32A, four-pin 10A to 50A and five-pin 10A to 50A designs.

Phase links are factory fitted between switches and sockets.

Small Single phase Flat pin - 10A to 20A

Size 1 Single & Three Phase - 10A- 20A

Size 2 Single & Three Phase - 32A - 50A

Heavy Duty terminals are standard on all products with Double Pole switching option as standard on 3 pin products.

The combination switch handle has two padlocking facilities (Oval Shape 11 x 9mm) so equipment can be safely isolated.

Switch is provided with LED fitment option (not supplied).

Combination sockets feature a clear dustproof & hoseproof flap allowing simple viewing of sockets. The flap is also provided with a reliable spring-tensioned latch to keep dust & liquids out.

Part bag contains twin screwed connector.



General Information												Plug Data	
Pin & Volt	Cat No.	Current Rating (A)	Pin Config	Pin Config Code (Table 1)	Enclosure	AC21 Rating (A)	AC23 Rating (A)	M Rating	Minimum Conductor Size (mm <sup>2</sup> )	Maximum Conductor Size (mm <sup>2</sup> )	Dimensions H* x W x D (mm)	Matching Plug Straight	Matching Plug Angled
3 Pin 250V~	BUC310	10	3 Flat	A	BUBB2GS	10	10	200	1.5	6	198x101x84	BUP310	-
	BUC310L	10	2 Flat 1 Round	C	BUBB2GS	10	10	200	1.5	6	198x101x84	BUP310L	-
	BUC315	15	3 Flat	B	BUBB2GS	15	15	200	1.5	6	198x101x84	BUP315	-
	BUC320F	20	3 Flat	E	BUBB2GS	20	20	200	2.5	16	198x101x84	BUP320F	-
	BUC320	20	3 Round	G	BUBB2G	20	20	200	2.5	16	198x101x108	BUP320	BUPA320
	BUC332	32	3 Round	H	BUBB2G	32	20	200	6	16	198x101x108	BUP332	BUPA332
4 Pin 500V~	BUC410	10	4 Round	I	BUBB2G	10	10	200	6	16	198x101x108	BUP410	BUPA410
	BUC420	20	4 Round	J	BUBB2G	20	20	200	6	16	198x101x108	BUP420	BUPA420
	BUC432	32	4 Round	K	BUBB2G	32	20	200	6	16	198x101x108	BUP432	BUPA432
	BUC440	40	4 Round	L	BUBB2G	40	25	200	6	16	198x101x108	BUP440	BUPA440
	BUC450	50	4 Round	M	BUBB2G	50	25	200	6	16	198x101x108	BUP450	BUPA450
5 Pin 500V~	BUC510	10	5 Round	N	BUBB2G	10	10	200	2.5	6	198x101x108	BUP510	BUPA510
	BUC520	20	5 Round	O	BUBB2G	20	20	200	2.5	6	198x101x108	BUP520	BUPA520
	BUC532	32	5 Round	P	BUBB2G	32	20	200	6	16	198x101x108	BUP532	BUPA532
	BUC540	40	5 Round	Q	BUBB2G	40	25	200	6	16	198x101x108	BUP540	BUPA540
	BUC550	50	5 Round	R	BUBB2G	50	25	200	6	16	198x101x108	BUP550	BUPA550

When ordering LESS ENCLOSURE add "LE" at end of catalogue number, ie "BUC310LE"

\*Note: Height of product excludes conduit plugs

### Certification Number:

BUC410, BUC420, BUC432, BUC440, BUC450, BUC510, BUC520,  
 BUC532, BUC540, BUC550 : AZ69025570  
 BUC310, BUC315, BUC320F: GMA-513502-EA  
 BUC320, BUC332: AZ69025651

### GSM Electrical (Australia) Pty Ltd

Level 2, 142-144 Fullarton Road, Rose Park SA 5067  
 P: 1300 301 838 E: service@gsm.com.au  
[www.gsm.com.au](http://www.gsm.com.au)



**BUC310**  
**BUC310L**  
**BUC315**  
**BUC320F**  
**BUC320**  
**BUC332**  
**BUC410**  
**BUC420**  
**BUC432**  
**BUC440**  
**BUC450**  
**BUC510**  
**BUC520**  
**BUC532**  
**BUC540**  
**BUC550**

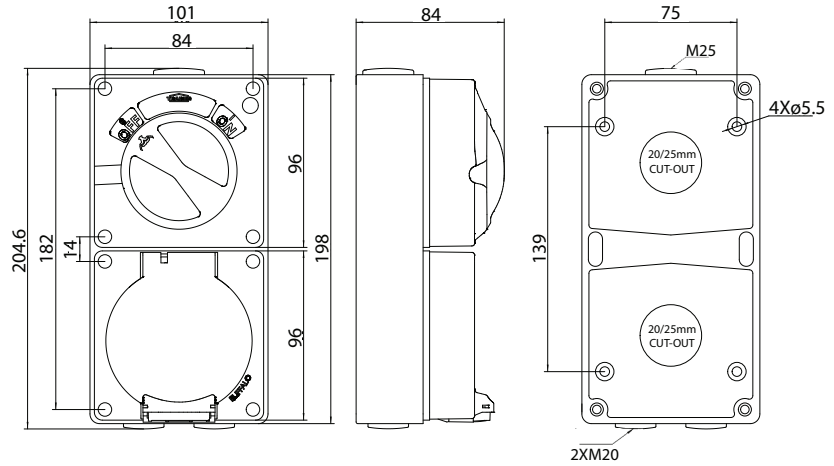
**BUC310LE**  
**BUC310LLE**  
**BUC315LE**  
**BUC320FLE**  
**BUC320LE**  
**BUC332LE**  
**BUC410LE**  
**BUC420LE**  
**BUC432LE**  
**BUC440LE**  
**BUC450LE**  
**BUC510LE**  
**BUC520LE**  
**BUC532LE**  
**BUC540LE**  
**BUC550LE**

PAGE 2 of 2

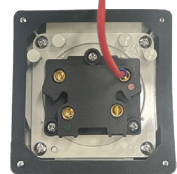
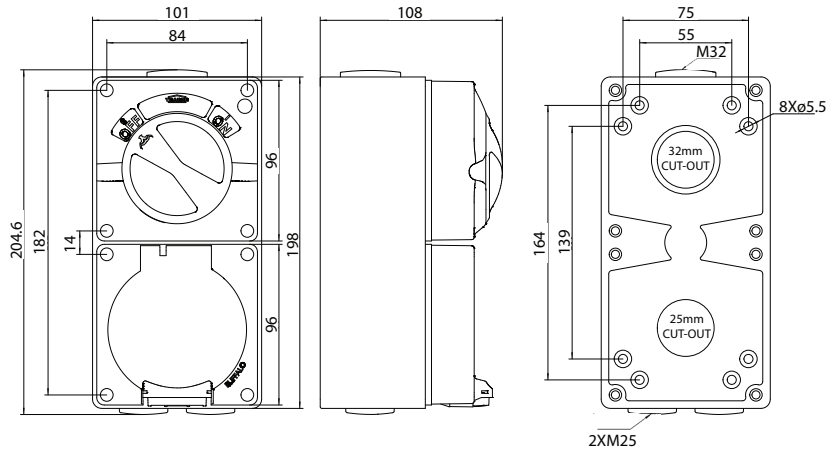


## Combination Switched Sockets Dimensional Drawings

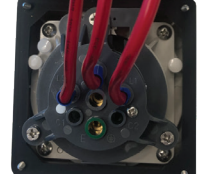
Flat Pin Models (including BUC310L)



Round Pin Models



Small Single Phase  
Flat pin  
10A to 20A



Size 1  
Single/Three Phase  
10A - 20A



Size 2  
Single/Three Phase  
32A - 50A

GSM Electrical (Australia) Pty Ltd

Level 2, 142-144 Fullarton Road, Rose Park SA 5067  
P: 1300 301 838 F: 1300 301 778 E: service@gsme.com.au  
www.gsme.com.au



Data Specification Sheet  
November 2022