

**LEPP1G  
LEPP151G  
LEPPSW1G**

\*See current catalogue for further detail

**Cleaning Guide:**

Spraying cleaning products directly on to electrical switches or power points (sockets) is not recommended.

It is important to ensure that switches are turned off before cleaning.

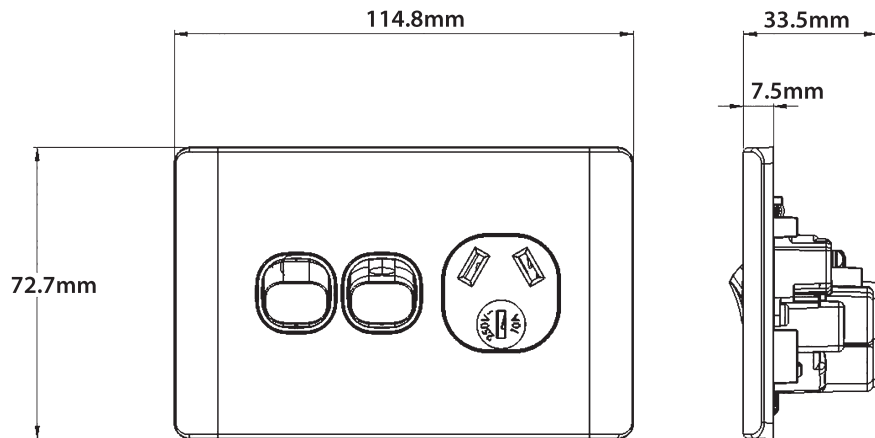
Do not use any cleaning sprays - only wipe down with damp cloth or rub with dry cloth. Do not use an abrasive cloth as it may scratch the plastic.

Do not use harsh chemical cleaners as these can break down the plastic and cause it to crack.

Do not wash the cover plates in water over 60°C.

## Leopard Range of Single Power Points

- Switches approved to AS/NZS3133
- Power point outlets approved to AS/NZS3112
- Fits standard Australian wall boxes and mounting accessories that use 84mm mounting centres
- Uses brass tunnel terminals that have the screws backed out for easier installation of cabling. Power point terminals have 6mm bore to suit 4 x 2.5mm<sup>2</sup> cable. Switch terminals have 4.1mm suit 4 x 1.5mm<sup>2</sup>
- Combination head screws for the power point terminals
- Uses 'Cat Flap' screw covers for IP rating mounting screws
- Dolly indicator colour green
- Covers, plates and dollies are made from UV stabilised polycarbonate to avoid discolouring to yellow
- Standard colour is white. Black and Brushed Aluminium also stocked - please check availability
- Typical example of size seen below:



Catalogue Number	Description
LEPP1G	Power Point Switched 1 Gang, 10A 250V~
LEPP151G	Power Point Switched 1 Gang, 15A 250V~
LEPPSW1G	Power Point Switched 1 Gang, 10A 250V~ with Extra Switch 16AX/20A

When ordering **BLACK** product add "BK" at end of catalogue number, ie LEPP1GBK

When ordering **BRUSHED ALUMINIUM** (cover) add "CBA" at end of catalogue number, ie LEPP1GCBA

**MEERKAT Switch Mechanisms** are used for all switch plates.  
Please refer to Meerkat Mech Matrix for range compatibility.

**Certification Number:**

GMA-500349-EA  
and GMA-500347-EA

**GSM Electrical (Australia) Pty Ltd**

Level 2, 142-144 Fullarton Road, Rose Park SA 5067  
P: 1300 301 838 F: 1300 301 778 E: service@g sme.com.au  
[www.g sme.com.au](http://www.g sme.com.au)



**LEPP2G**  
**LEPP152G**  
**LEPPSW2G**

\*See current catalogue for further detail

**Cleaning Guide:**

Spraying cleaning products directly on to electrical switches or power points (sockets) is not recommended.

It is important to ensure that switches are turned off before cleaning.

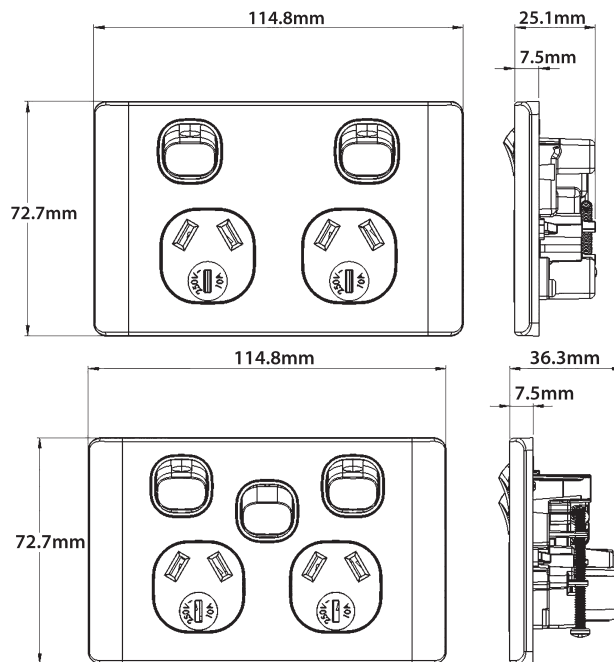
Do not use any cleaning sprays - only wipe down with damp cloth or rub with dry cloth. Do not use an abrasive cloth as it may scratch the plastic.

Do not use harsh chemical cleaners as these can break down the plastic and cause it to crack.

Do not wash the cover plates in water over 60°C.

## Leopard Range of Double Power Points

- Power points approved to AS/NZS3112
- Fits standard Australian wall boxes and mounting accessories that use 84mm mounting centres
- Uses brass tunnel terminals that have the screws backed out for easier installation of cabling. Power point terminals have 6mm bore to suit 4 x 2.5mm<sup>2</sup> cable. Switch terminals have 4.1mm suit 4 x 1.5mm<sup>2</sup>
- Combination head screws for the power point terminals
- Uses 'Cat Flap' screw covers for IP rating mounting screws
- Dolly indicator colour green
- Covers, plates and dollies are made from UV stabilised polycarbonate to avoid discolouring to yellow
- Standard colour is white. Black and Brushed Aluminium also stocked - please check availability
- Typical example of size seen below:



Catalogue Number	Description
LEPP2G	Power Point Switched 2 Gang, 10A 250V~
LEPP152G	Power Point Switched 2 Gang, 15A 250V~
LEPPSW2G	Power Point Switched 2 Gang, 10A 250V~ with Extra Switch, 16AX/20A

When ordering **BLACK** product add "BK" at end of catalogue number, ie LEPP1GBK

When ordering **BRUSHED ALUMINIUM** (cover) add "CBA" at end of catalogue number, ie LEPP1GCBA

**MEERKAT Switch Mechanisms** are used for all switch plates.  
Please refer to Meerkat Mech Matrix for range compatibility.

**Certification Number:**  
GMA-500347-EA / GMA-500348-EA

**GSM Electrical (Australia) Pty Ltd**  
Level 2, 142-144 Fullarton Road, Rose Park SA 5067  
P: 1300 301 838 F: 1300 301 778 E: service@g sme.com.au  
[www.g sme.com.au](http://www.g sme.com.au)



Data Specification Sheet  
October 2018



**LEPPV1G  
LEPPV2G  
LEPPV2GBK**

\*See current catalogue for further detail

**Cleaning Guide:**

Spraying cleaning products directly on to electrical switches or power points (sockets) is not recommended.

It is important to ensure that switches are turned off before cleaning.

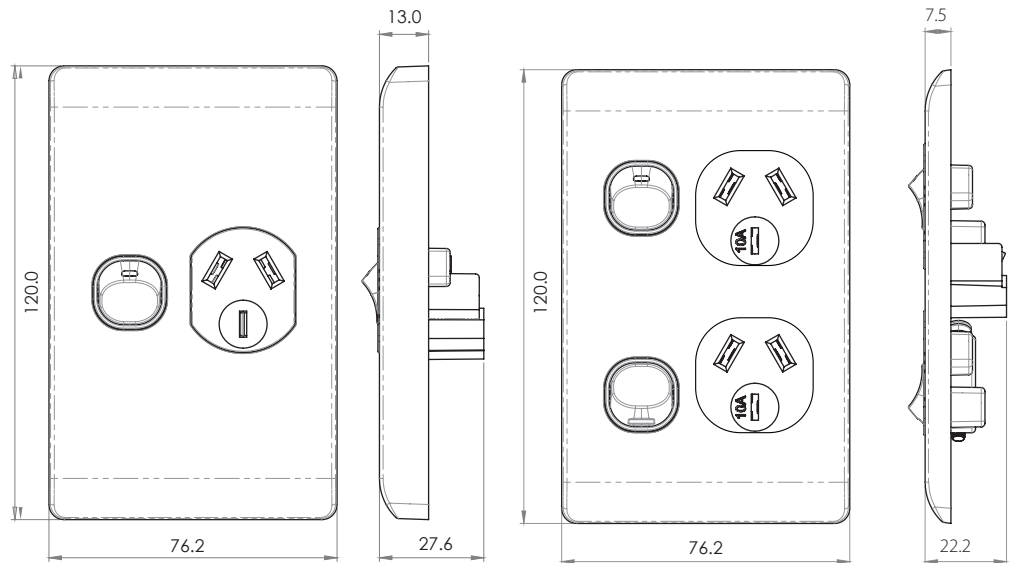
Do not use any cleaning sprays - only wipe down with damp cloth or rub with dry cloth. Do not use an abrasive cloth as it may scratch the plastic.

Do not use harsh chemical cleaners as these can break down the plastic and cause it to crack.

Do not wash the cover plates in water over 60°C.

## Leopard Range of Vertical Single & Double Power Points

- Switches approved to AS/NZS3133
- Power points approved to AS/NZS3112
- Fits standard Australian wall boxes and mounting accessories that use 84mm mounting centres
- Uses brass tunnel terminals that have the screws backed out for easier installation of cabling. Power point terminals have 6mm bore to suit 4 x 2.5mm<sup>2</sup> cable. Switch terminals have 4.1mm suit 4 x 1.5mm<sup>2</sup>
- Combination head screws for the power point terminals
- Dolly indicator colour green
- Covers, plates and dollies made from UV stabilised polycarbonate to avoid discolouring to yellow
- Standard colour is White, LEPPV2G comes in Black (LEPPV2GBK) - Please check availability
- Typical example of size seen below:



Catalogue Number	Description
LEPPV1G	Power Point Switched Vertical 1 Gang, 10A 250V~
LEPPV2G	Power Point Switched Vertical 2 Gang, 10A 250V~
LEPPV2GBK	Power Point Switched Vertical 2 Gang, 10A 250V~ Black

**MEERKAT Switch Mechanisms** are used for all switch plates.  
Please refer to Meerkat Mech Matrix for range compatibility.

**Certification Number:**

LEPPV1G: GMA-501807-EA  
LEPPV2G: GMA-501806-EA

**GSM Electrical (Australia) Pty Ltd**

Level 2, 142-144 Fullarton Road, Rose Park SA 5067  
P: 1300 301 838 F: 1300 301 778 E: service@gsme.com.au  
[www.gsme.com.au](http://www.gsme.com.au)



**LEPP2USBAU  
LEPP2USBAUBK  
LEPP2USBAUCBA**

\*See current catalogue for further detail

**Cleaning Guide:**

Spraying cleaning products directly on to electrical switches or power points (sockets) is not recommended.

It is important to ensure that switches are turned off before cleaning.

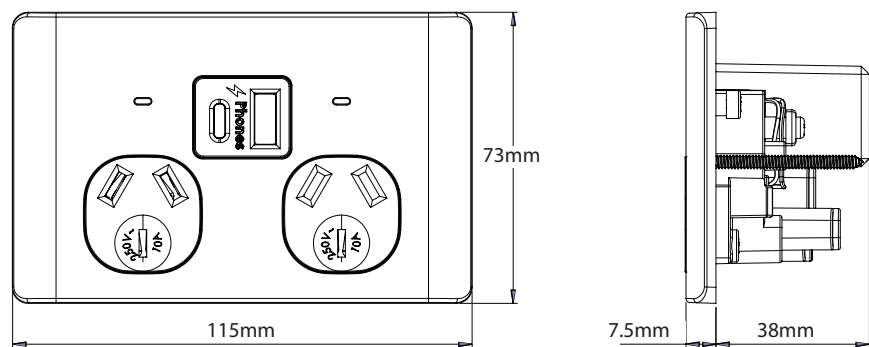
Do not use any cleaning sprays - only wipe down with damp cloth or rub with dry cloth. Do not use an abrasive cloth as it may scratch the plastic.

Do not use harsh chemical cleaners as these can break down the plastic and cause it to crack.

Do not wash the cover plates in water over 60°C.

## Leopard Range of Dual USB Charger Power Points

- Wall plate 7.5mm thick to align with other Leopard plates in the range.
- Power points rated to 10A 250V a.c.
- Warm white LED indicators to show power on status.
- USB outlets rated to 3.4A max total at 5V.
- Auto-Switched power point switches active upon plug insertion/withdrawal.
- Each electrical power point contains shutters activated from the neutral pin.
- The USB circuit is integrated with the power point outlet and connected internally so only one set of terminals are required for the electrician to wire the device.
- Fits standard mounting accessories with 84mm centres.
- Terminals suit 3 x 2.5mm<sup>2</sup>.
- Recommended for phone use or small tablets only, larger devices such as laptops with USB C connections require much greater output.
- Covers, plates and dollies are made from UV stabilised polycarbonate to avoid discolouring to yellow.
- Standard colour is White. Also available in Black.
- Brushed Aluminium Covers (LEPP2USBAUCBA) available.
- Product is approved in accordance with AS/NZS3112.
- USB outlets comply with AS/NZS61558.2.16:2010 A1-3.
- Typical example of size seen below:



Catalogue Number	Description
LEPP2USBAU	Power Point Fully Integrated Dual USB Charger (Type A & C) Auto-Switched, 10A 250V~
LEPP2USBAUBK	Power Point Fully Integrated Dual USB Charger (Type A & C) Auto-Switched, 10A 250V~ Black
LEPP2USBAUCBA	Power Point Fully Integrated Dual USB Charger (Type A & C) Auto-Switched ~ Cover Brushed Aluminium

Brushed Aluminium Covers have a 10 year warranty.

**Certification Number:**  
TBC

**GSM Electrical (Australia) Pty Ltd**  
Level 2, 142-144 Fullarton Road, Rose Park SA 5067  
P: 1300 301 838 F: 1300 301 778 E: service@gsm.com.au  
[www.gsm.com.au](http://www.gsm.com.au)



Data Specification Sheet  
April 2021



## LEPPSHELF

For use with LEPP2G

### Cleaning Guide:

Spraying cleaning products directly on to electrical switches or power points (sockets) is not recommended.

It is important to ensure that switches are turned off before cleaning.

Do not use any cleaning sprays - only wipe down with damp cloth or rub with dry cloth. Do not use an abrasive cloth as it may scratch the plastic.

Do not use harsh chemical cleaners as these can break down the plastic and cause it to crack.

Do not wash the cover plates in water over 60°C.

## Leopard Power Point Shelf

- Suitable for use with Leopard LEPP2G plates
- Includes screw caps and plugs for secure retention on wall
- No need to remove wall plates from wall for installation of the shelf



Example of the Leopard Shelf in use with LEPP2G

Easy to install:  
Align Top first against wall then slide down and swing bottom into place



Example of the Leopard Shelf in use



**LEBIG4**  
**LEBIG4BK**  
**LEBIG5**  
**LEBIG5BK**

\*See current catalogue for further detail



**Cleaning Guide:**

Spraying cleaning products directly on to electrical switches or power points (sockets) is not recommended.

It is important to ensure that switches are turned off before cleaning.

Do not use any cleaning sprays - only wipe down with damp cloth or rub with dry cloth. Do not use an abrasive cloth as it may scratch the plastic.

Do not use harsh chemical cleaners as these can break down the plastic and cause it to crack.

Do not wash the cover plates in water over 60°C.

# Leopard LEBIG4 and LEBIG5 Power Points

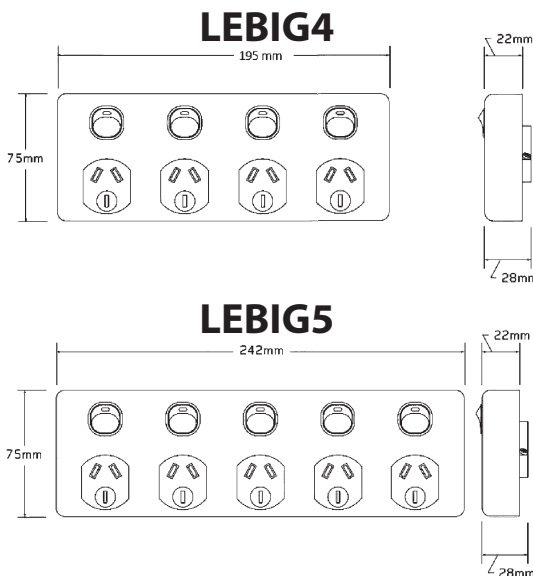
**LEBIG4 and LEBIG5  
 DOUBLE POLE**

**LEBIG4**

- Double pole surface mounted switched 4 Gang Power Point.
- 10A at 250V~
- Diameter 6mm terminal bores to suit 4 x 2.5 mm<sup>2</sup> cables.
- Fits 84 mm mounting centres.
- Dolly indicator colour green.
- Covers, plates and dollies made from UV stabilised polycarbonate to avoid discolouring to yellow.
- Colour available in white or black. Please check availability,
- Approved to AS/NZS3112.

**LEBIG5**

- Double pole surface mounted switched 5 Gang Power Point, 10A at 250V~
- Diameter 6mm terminal bores to suit 4 x 2.5 mm<sup>2</sup> cables.
- Fits 84 mm mounting centres.
- Dolly indicator colour green.
- Covers, plates and dollies made from UV stabilised polycarbonate to avoid discolouring to yellow.
- Approved to AS/NZS3112.
- Colour available in white or black. Please check availability,
- **The BIG5 uses the same features and mounting system as the BIG4, but has the additional switched power point for convenience.**



**PUBIG4MB and PUBIG5MB Mounting Blocks**

(Separate Data Sheet available with measurements details)

- 25mm high mounting block to suit PUBIG4, LEBIG4, PUBIG5 and LEBIG5
- Made from UV stabilised polycarbonate to avoid discolouring to yellow
- BIG4 Mounting blocks include backing plates for situations where fully enclosed insulation is required.
- BIG5 Mounting blocks include backing plates for situations where fully enclosed insulation is required.

**Certification Number:**  
 GMA-507804-EA

**GSM Electrical (Australia) Pty Ltd**  
 Level 2, 142-144 Fullarton Road, Rose Park SA 5067  
 P: 1300 301 838 F: 1300 301 778 E: service@g sme.com.au  
[www.g sme.com.au](http://www.g sme.com.au)



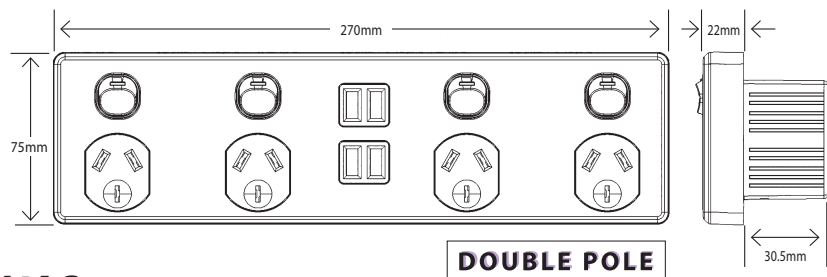
**LE4X4**  
**LE4X4BK**  
**LE4X4AC**

\*See current catalogue for further detail

## 4 x 4 – 4 Power Points x 4 USBs

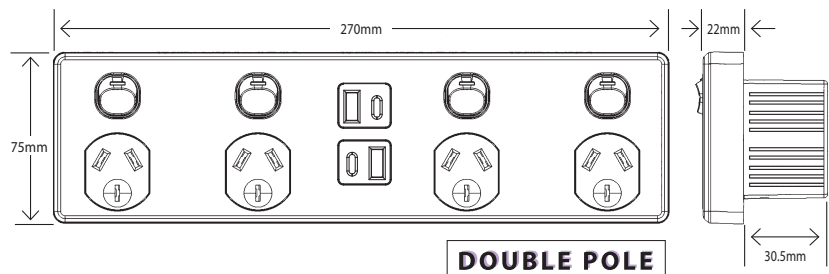
### LE4X4

- Approved to AS/NZS3112 & AS/NZS60950-1
- Four power points and four USB ports
- Wide spacing between power points for wide plug bases.
- Mounting Block [PU4X4MB] suits Leopard 4X4 Products
- The rating for the USB is 2 x 3.1A at 5V when one device is inserted then it divides to split the output when a device is inserted in each USB socket - 3.1A available across 2 USB outlets on the left and 3.1A available across 2 USB outlets on the right
- Fits standard wall boxes and mounting accessories
- Covers, plates and dollies are made from UV stabilised polycarbonate to avoid discolouring to yellow
- Standard colour is White. Also available in Black - please check availability



### LE4X4AC

- Approved to AS/NZS3112 & AS/NZS60950-1
- Suitable for USB Type C applications up to 3 Amp at 5V.
- Ideal for phones that utilise USB Type C connections.
- Not suitable for lap tops or other devices requiring greater output than 3 Amp at 5V.
- Four power points and four USB ports
- Wide spacing between power points for wide plug bases.
- Mounting Block [PU4X4MB] suits Leopard 4X4 Products
- The overall electronic assembly rating is 3.1A at 5V; it then divides the output when devices are inserted in each USB socket.
- Fits standard wall boxes and mounting accessories
- Covers, plates and dollies are made from UV stabilised polycarbonate to avoid discolouring to yellow
- Standard colour is White.



#### Cleaning Guide:

Spraying cleaning products directly on to electrical switches or power points (sockets) is not recommended.

It is important to ensure that switches are turned off before cleaning.

Do not use any cleaning sprays - only wipe down with damp cloth or rub with dry cloth. Do not use an abrasive cloth as it may scratch the plastic.

Do not use harsh chemical cleaners as these can break down the plastic and cause it to crack.

Do not wash the cover plates in water over 60°C.



Catalogue Number	Description
LE4X4	Power Point Switched 4 Gang, 10A 250V~ and 4 USBs 5V 2 x 3.1A
LE4X4BK	Power Point Switched 4 Gang, 10A 250V~ and 4 USBs 5V 2 x 3.1A Black
LE4X4AC	Power Point 4 Gang 10A 250V~ Double Pole Plus 4 Gang USB Charger Type A & C (3.1A Top & 3.1A Bottom)

Certification Number: GMA-502543-EA

GSM Electrical (Australia) Pty Ltd

Level 2, 142-144 Fullarton Road, Rose Park SA 5067

P: 1300 301 838 F: 1300 301 778 E: service@gsm.com.au

www.gsm.com.au



Data Specification Sheet  
December 2022

*Vertical Switches*

**LESWV1G**  
**LESWV2G**  
**LESWV3G**  
**LESWV4G**  
**LESWV5G**  
**LESWV6G**

*Horizontal Switches*

**LESW1G**  
**LESW2G**  
**LESW3G**  
**LESW4G**  
**LESW5G**  
**LESW6G**

*Switch Plates (Less Mechs)*

**LESWPV1G**  
**LESWPV2G**  
**LESWPV3G**  
**LESWPV4G**  
**LESWPV5G**  
**LESWPV6G**  
**LESWPVXG**

\*See current catalogue for further detail

**Note:** MESWC (previously LESWM) switch mechanism used in conjunction with Snow Leopard, Leopard and Cheetah plates

**Cleaning Guide:**

Spraying cleaning products directly on to electrical switches or power points (sockets) is not recommended.

It is important to ensure that switches are turned off before cleaning.

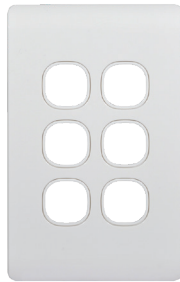
Do not use any cleaning sprays - only wipe down with damp cloth or rub with dry cloth. Do not use an abrasive cloth as it may scratch the plastic.

Do not use harsh chemical cleaners as these can break down the plastic and cause it to crack.

Do not wash the cover plates in water over 60°C.

## Leopard Range of Switch Plates

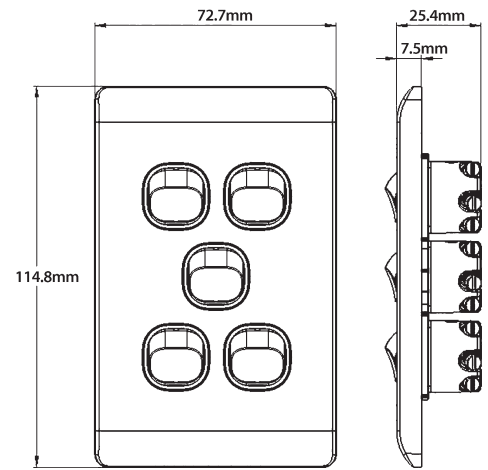
- Switches are rated 16AX/20A 250V~ and approved to AS/NZS60669-1
- Fits standard Australian wall boxes and mounting accessories that use 84mm mounting centres
- Uses brass tunnel terminals that have the screws backed out for easier installation of cabling. Switches are two way with looping terminal and suit 4 x 1.5mm<sup>2</sup> cabling with 4.1mm bore
- Slotted head screws for the terminals
- Uses 'Cat Flap' screw covers for IP rating or mounting screws
- Covers, plates and dollies are made from UV stabilised polycarbonate to avoid discolouring to yellow
- Standard colour is white. Black and Brushed Aluminium covers also stocked - please check availability
- Plates suit Trader Meerkat MESWC mechs, including TV and Data; and Clipsal 30 Style\* mechs and accessories
- Typical example of size in diagram:



Example of cover plate only / grid and plate only (less mech)



Example of cover plate with MERJ6CM data mech installed



Catalogue No.	Description
LESWV1G	Switch Vertical 1 Gang, 16AX/20A 250V~
LESWV2G	Switch Vertical 2 Gang, 16AX/20A 250V~
LESWV3G	Switch Vertical 3 Gang, 16AX/20A 250V~
LESWV4G	Switch Vertical 4 Gang, 16AX/20A 250V~
LESWV5G	Switch Vertical 5 Gang, 16AX/20A 250V~
LESWV6G	Switch Vertical 6 Gang, 16AX/20A 250V~
LESW1G	Switch Horizontal 1 Gang, 16AX/20A 250V~
LESW2G	Switch Horizontal 2 Gang, 16AX/20A 250V~
LESW3G	Switch Horizontal 3 Gang, 16AX/20A 250V~
LESW4G	Switch Horizontal 4 Gang, 16AX/20A 250V~
LESW5G	Switch Horizontal 5 Gang, 16AX/20A 250V~
LESW6G	Switch Horizontal 6 Gang, 16AX/20A 250V~

Catalogue No.	Description
LESWPV1G	Switch Plate Vertical 1 Gang (Less Mech)
LESWPV2G	Switch Plate Vertical 2 Gang (Less Mech)
LESWPV3G	Switch Plate Vertical 3 Gang (Less Mech)
LESWPV4G	Switch Plate Vertical 4 Gang (Less Mech)
LESWPV5G	Switch Plate Vertical 5 Gang (Less Mech)
LESWPV6G	Switch Plate Vertical 6 Gang (Less Mech)
LESWPVXG	Blank plate & cover

The above catalogue numbers where "P" appears in number, refers to Cover Plate Only / Grid and Plate only (less mech)

\* The Clipsal brand and associated products are Trademarks of Schneider Electric (Australia) Pty Ltd.

GSM Electrical (Australia) Pty Ltd, the TRADER brand and it's products, have no endorsement or affiliation with Schneider Electric Pty Ltd.

Horizontals available by request

When ordering BLACK product add "BK" at end of catalogue number, ie LEPP1GBK

When ordering BRUSHED ALUMINIUM (cover) add "CBA" at end of catalogue number, ie LEPP1GCBA

When ordering REPLACEMENT "COVERS ONLY" add "CO" at end of catalogue number, ie LESWPV1GCO



**MEERKAT Switch Mechanisms** are used for all switch plates. Please refer to Meerkat Mech Matrix for range compatibility.

**Certification Number:**  
GMA-507879-EA

**GSM Electrical (Australia) Pty Ltd**  
Level 2, 142-144 Fullarton Road, Rose Park SA 5067  
P: 1300 301 838 F: 1300 301 778 E: service@gsme.com.au  
[www.gsme.com.au](http://www.gsme.com.au)



Data Specification Sheet  
September 2023



LEPP1GCBA  
LEPPSW1GCBA  
LEPP2GCBA  
LEPPSW2GCBA  
LEPP2USBAUCBA  
LESWPV1GCBA  
LESWPV2GCBA  
LESWPV3GCBA  
LESWPV4GCBA  
LESWPV5GCBA  
LESWPV6GCBA  
LESWPVXGCBA

\*See current catalogue for further detail

**Cleaning Guide:**

Spraying cleaning products directly on to electrical switches or power points (sockets) is not recommended.

It is important to ensure that switches are turned off before cleaning.

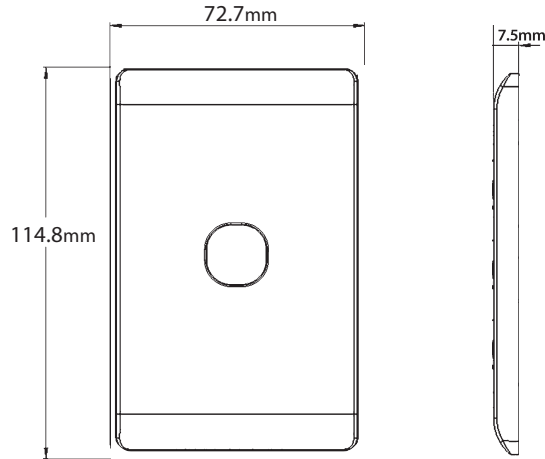
Do not use any cleaning sprays - only wipe down with damp cloth or rub with dry cloth. Do not use an abrasive cloth as it may scratch the plastic.

Do not use harsh chemical cleaners as these can break down the plastic and cause it to crack.

Do not wash the cover plates in water over 60°C.

## Leopard Range of Switch & Power Point Brushed Aluminium Covers

- Brushed Aluminium covers provide a great protective upgrade to switches and power points and do not fingerprint as much as other materials while providing a similar look.
- The brushed finish is complemented with the décor of other brushed stainless appliances or looks stylish on other backgrounds.



Example of cover plate  
LEPPSW1GCBA



Example of cover plate with  
LEPPSW1GCBA with LEPPSWV1G



Example of cover plate with  
LEPPSW1GCBA with LEPPSWV1GBK

Catalogue Number	Description
LEPP1GCBA	Power Point Switched 1 Gang Cover Brushed Aluminium
LEPPSW1GCBA	Power Point Switched 1 Gang With Extra Switch Cover Brushed Aluminium
LEPP2GCBA	Power Point Switched 2 Gang Cover Brushed Aluminium
LEPPSW2GCBA	Power Point Switched 2 Gang With Extra Switch Cover Brushed Aluminium
LEPP2USBAUCBA	Power Point Fully Integrated Dual USB Charger (Type A & C) Auto Switched, 10A 250V~ Cover Brushed Aluminium
LESWPV1GCBA	Switch Plate Vertical 1 Gang Cover Brushed Aluminium
LESWPV2GCBA	Switch Plate Vertical 2 Gang Cover Brushed Aluminium
LESWPV3GCBA	Switch Plate Vertical 3 Gang Cover Brushed Aluminium
LESWPV4GCBA	Switch Plate Vertical 4 Gang Cover Brushed Aluminium
LESWPV5GCBA	Switch Plate Vertical 5 Gang Cover Brushed Aluminium
LESWPV6GCBA	Switch Plate Vertical 6 Gang Cover Brushed Aluminium
LESWPVXGCBA	Switch Plate & Cover Brushed Aluminium



**LESWVA1G**  
**LESWVA2G**  
**LESWVA3G**

\*See current catalogue for further detail

**Cleaning Guide:**

Spraying cleaning products directly on to electrical switches or power points (sockets) is not recommended.

It is important to ensure that switches are turned off before cleaning.

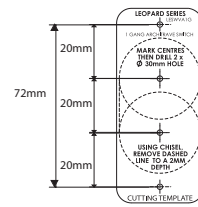
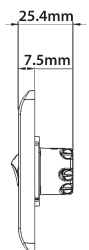
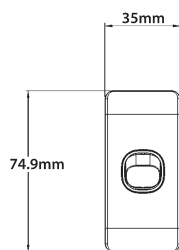
Do not use any cleaning sprays - only wipe down with damp cloth or rub with dry cloth. Do not use an abrasive cloth as it may scratch the plastic.

Do not use harsh chemical cleaners as these can break down the plastic and cause it to crack.

Do not wash the cover plates in water over 60°C.

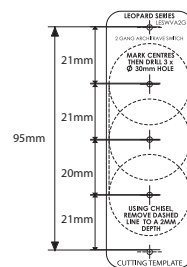
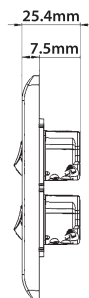
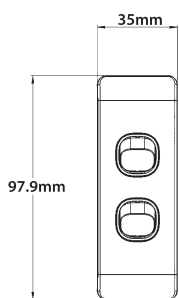
## Leopard Range of Architrave Switches

- Switches are rated 16AX/20A 250V~
- Uses brass tunnel terminals that have the screws backed out for easier installation of cabling. Switches are two way with looping terminal and suit 4 x 1.5mm<sup>2</sup> cabling with 4.1mm bore
- Slotted head screws for the terminals
- Covers, plates and dollies are made from UV stabilised polycarbonate to avoid discolouring to yellow
- Standard colour is white. Black also stocked - please check availability
- Approved to AS/NZS60669-1
- Typical example of size seen below:



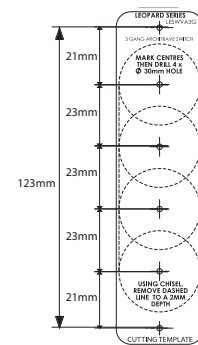
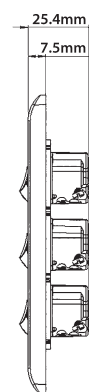
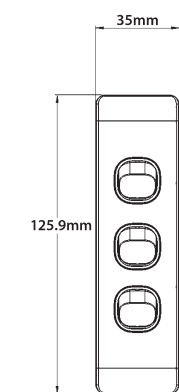
example of cutting template supplied

**LESWVA1G**



example of cutting template supplied

**LESWVA2G**



example of cutting template supplied

**LESWVA3G**

Catalogue Number	Description
LESWVA1G	Switch Vertical Architrave 1 Gang, 16AX/20A 250V~
LESWVA2G	Switch Vertical Architrave 2 Gang, 16AX/20A 250V~
LESWVA3G	Switch Vertical Architrave 3 Gang, 16AX/20A 250V~

When ordering BLACK product add "BK" at end of catalogue number, ie LEPP1GBK



MEERKAT Switch Mechanisms are used for all switch plates. Please refer to Meerkat Mech Matrix for range compatibility.

**Certification Number:**  
GMA-507879-EA

**GSM Electrical (Australia) Pty Ltd**  
Level 2, 142-144 Fullarton Road, Rose Park SA 5067  
P: 1300 301 838 F: 1300 301 778 E: service@g sme.com.au  
[www.g sme.com.au](http://www.g sme.com.au)



**LESWDPOV45**  
**LESWDPOV45H**  
**LESWDPOV45BK**  
**LESWDPOV45BKH**  
**LESWDPOV45BKSV**  
**LESWDPOV45BKSVH**  
**LESWDPOV45WSV**  
**LESWDPOV45WSVH**

\*See current catalogue for further detail

**Cleaning Guide:**

Spraying cleaning products directly on to electrical switches or power points (sockets) is not recommended.

It is important to ensure that switches are turned off before cleaning.

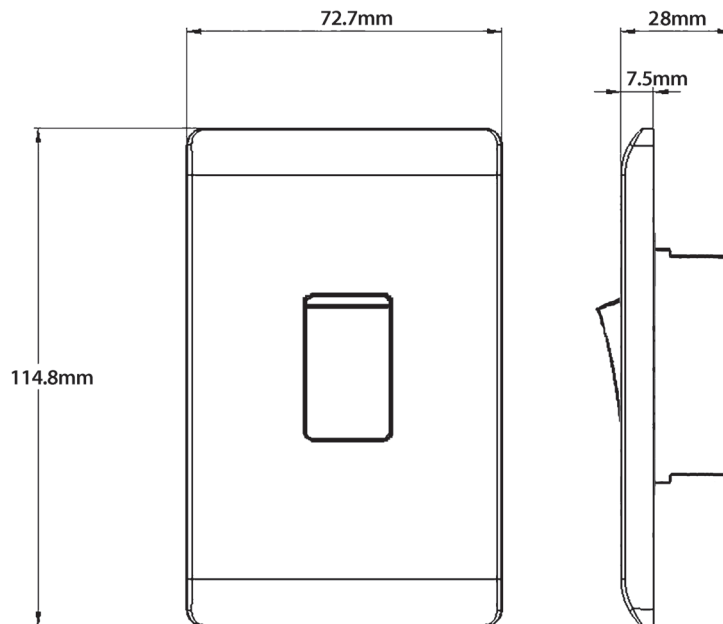
Do not use any cleaning sprays - only wipe down with damp cloth or rub with dry cloth. Do not use an abrasive cloth as it may scratch the plastic.

Do not use harsh chemical cleaners as these can break down the plastic and cause it to crack.

Do not wash the cover plates in water over 60°C.

## Leopard Oven Switches

- Switch approved to AS/NZS60669.1:2013
- 45A 250V~, Double Pole
- Includes looping terminals
- Terminal bore 5.8mm diameter
- Cover, plate and dolly is made from UV stabilised polycarbonate to avoid discolouring to yellow
- Standard colour is white. Colours available: White, Black, Black/Silver, White/Silver - please check availability



Catalogue Number	Description
LESWDPOV45	Switch Oven 45A 250V~ Double Pole
LESWDPOV45H	Switch Oven 45A 250V~ Double Pole Horizontal
LESWDPOV45BK	Switch Oven 45A 250V~ Double Pole Black
LESWDPOV45BKH	Switch Oven 45A 250V~ Double Pole Black Horizontal
LESWDPOV45BKSV	Switch Oven 45A 250V~ Double Pole Black Silver
LESWDPOV45BKSVH	Switch Oven 45A 250V~ Double Pole Black Silver Horizontal
LESWDPOV45WSV	Switch Oven 45A 250V~ Double Pole White Silver
LESWDPOV45WSVH	Switch Oven 45A 250V~ Double Pole White Silver Horizontal

**Certification Number:** GMA-502679

**GSM Electrical (Australia) Pty Ltd**

Level 2, 142-144 Fullarton Road, Rose Park SA 5067

P: 1300 301 838 F: 1300 301 778 E: service@g sme.com.au

[www.g sme.com.au](http://www.g sme.com.au)



Data Specification Sheet  
October 2018

